

# BR27

SRD	TX	ISM 433.050 – 434.790 MHz
-----	----	---------------------------

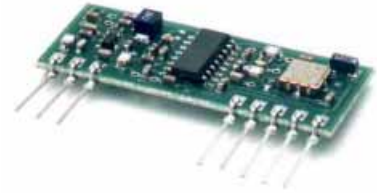


TABLE 1 - BR27 VERSIONS.			
BR27A5-G4 (1)	433.925 MHz	5VDC	4.8 KB
<b>NOTE (1):</b> STANDARD VERSION WITH EX STOCK AVAILABILITY			

- SAW CONTROLLED SUPERHETERODYNE
- OOK AND GASK MODULATION
- -103 dBm SENSITIVITY
- TWO LC BANDPASS RF FILTERS
- 5VDC –6mA SUPPLY

## DESCRIPTION:

The BR27 module is a complete ASK superhet UHF data receiver with SAW controlled local oscillator. The BR27 is ideally suited to a variety of remote controls, alarms or monitoring wireless applications. Two LC tuned bandpass filters in the RF preamplifiers stage help to attenuate strong out of band interfering signals. The module needs a single 5 VDC supply with very low current consumption.

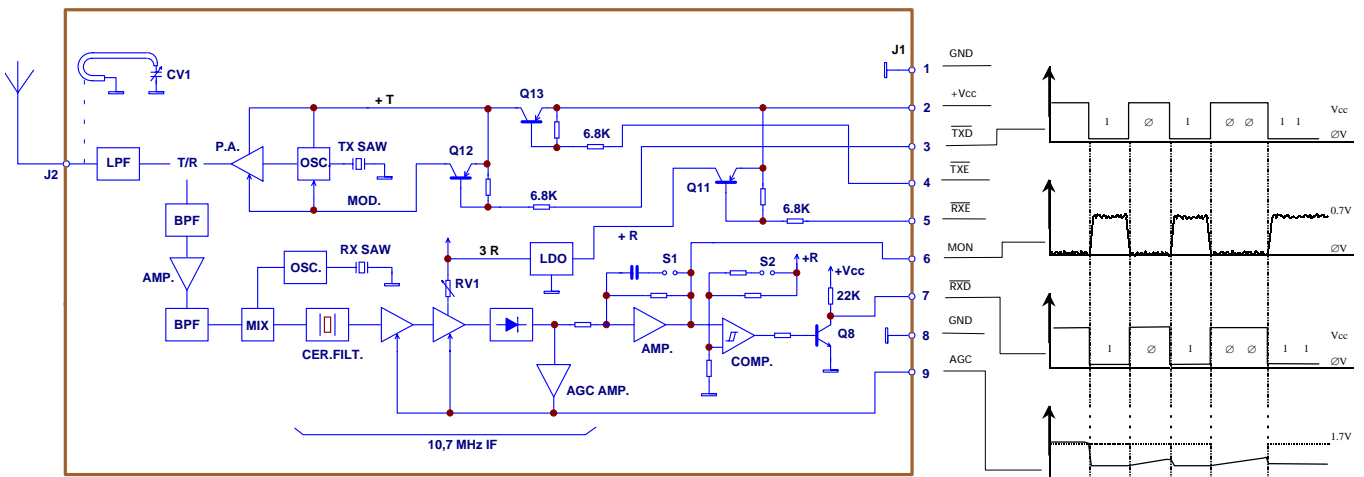


Fig.1 – BR27 BLOCK DIAGRAM

## BR27 - PERFORMANCE DATA

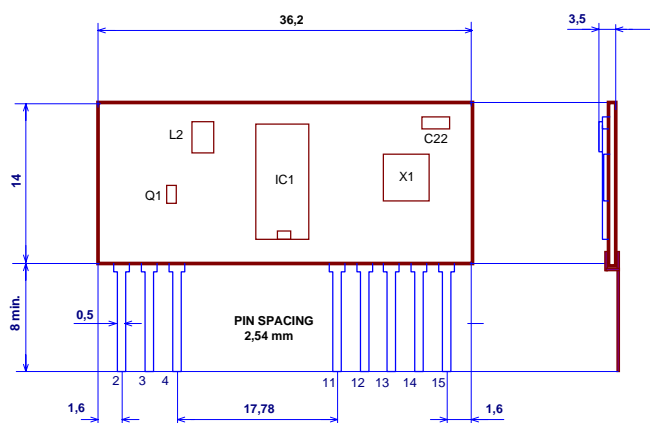
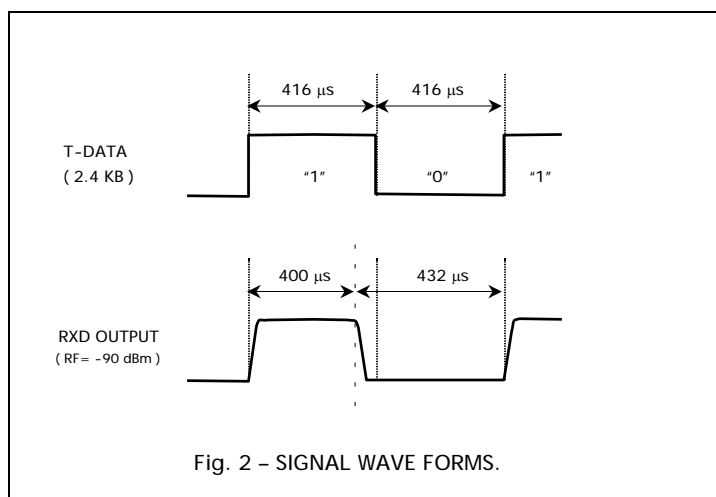
	Min	Typ	Max	Units	Notes
▪ FREQUENCY		433.92		MHz	
▪ SENSITIVITY	-100	-103		dBm	(1)
▪ IF BANDWIDTH		800		KHz	
▪ DYNAMIC RANGE	75	80		dB	
▪ SPURIOUS EMISSION			-60	dBm	
▪ IMPEDANCE		50		$\Omega$	
▪ DATA RATE	50		4800	baud	(2)
▪ DATA MARK/SPACE	20		80	%	(3)
▪ START UP TIME		50		ms	
▪ OPERATING SUPPLY VOLTAGE	4,5	5	5,5	V	
▪ SUPPLY CURRENT		6	7.5	mA	
▪ OPERATING TEMPERATURE	-20		+60	$^{\circ}\text{C}$	

**NOTE**

(1) 1.2 KB - BER 1%.

(2) 50/50 MARK/SPACE DATA PATTERN ( 25-2400 Hz).

(3) AVERAGED OVER ANY 20 ms PERIOD.



### PIN DESCRIPTION

PIN	DESCRIPTION	FUNCTION
PIN 2	GND	Rf Ground
PIN 3	ANT	Rf Input
PIN 4	GND	Rf Ground
PIN 11	GND	Ground
PIN 12	N.U.	
PIN 13	MON	Analogue Output
PIN 14	RXD	Data Output
PIN 15	VCC	Dc Supply

Rev. BR27 1.1 date 17 September App.



**STE sas ELETTRONICA TELECOMUNICAZIONI**  
 15, Via Maniago - 20134 - Milan - Italy e-mail: [ste@stecom.com](mailto:ste@stecom.com) <http://www.stecom.com>