

BiM2D

Issue 3, 29 November 2023

Frequency Programmable FM UHF Transceiver

The BiM2D is a frequency programmable wideband FM transceiver radio module, which is an enhanced replacement for the BiM2A. BiM2DH is a higher power version with 25mW RF power and specifically made available for Australian/New Zealand users.



Figure 1: BiM2D-433-64

Features

- Complies with European harmonised standards EN 300 220 and EN 301 489
- RF power output: +10dBm (10mW) for BiM2D
- RF power output: +14dBm (25mW) for BiM2DH
- Data rates: up to 10kbps or 64kbps
- Crystal controlled PLL Frequency Synthesiser based FM circuitry for both Tx and Rx
- SAW front end filter and full screening
- 433.92MHz or 434.42MHz as standard
- Other frequencies on 311-348MHz, 398-470MHz, 790-956MHz subject to SAW filter availability
- Receiver Sensitivity: -111dBm for 12dB SINAD @64kbps,
-113dBm for 12dB SINAD @10kbps
- Supply: 2.9V - 16V @ 22mA TX (10mW), 40mA TX (25mW), 15mA Rx
- Conforms to European ETSI EN 301 489-3 and EN 300 220-2 (ERP @ 10mW)
- Conforms to Australian/New Zealand AS/NZS 4268:2003 (ERP @ 25mW)
- Usable range up to 300 metres external, 75 metres in building
- Received Signal Strength Indicator (RSSI) or Carrier Detect (CD)
- Analogue and digital baseband
- Low profile with small footprint
- 33 x 23 x 5mm

Applications

- Industrial or Commercial Telemetry and Telcommand
- Wireless Queue Management System
- Wheel Balancing
- Sports Scoreboard Display
- Wireless Battery Monitor.
- Temperature & Pressure Monitoring in Industrial processes

Evaluation platforms: *Narrow Band Evaluation Kit (NBEK) with programmable BiM2D carrier board*

Functional overview

The transmit section of the BiM2D consists of a frequency modulated crystal locked PLL feeding a LC match and RF filter. A TX select line controls operation. The transmitter achieves full RF output typically within 2ms of this line being pulled low. Modulation is applied at the TXD input and may be either a serial digital stream toggling between 0V and 3V (digital drive) or a high level of ac coupled analogue waveform up to 1.7V peak-to-peak (linear drive). Modulation shaping is performed internally by a 2nd order lowpass filter, which minimises spectral spreading. The RF output is filtered to ensure compliance with the appropriate regulations and fed via a Tx/Rx changeover switch to the antenna pin.

The receive section is a single conversion FM superhet with an IF of 10.7MHz. A SAW bandpass filter in the receiver front-end provides image rejection and suppression of other unwanted out-of-band signals. Like the transmitter, the receiver is controlled by its own active low RX select line. A post-detection lowpass filter establishes the signal bandwidth and ensures clean operation of the subsequent adaptive data slicer. The slicer is optimised for balanced data such as bi-phase code. A received signal strength (RSSI) output with 60dB of range is provided.

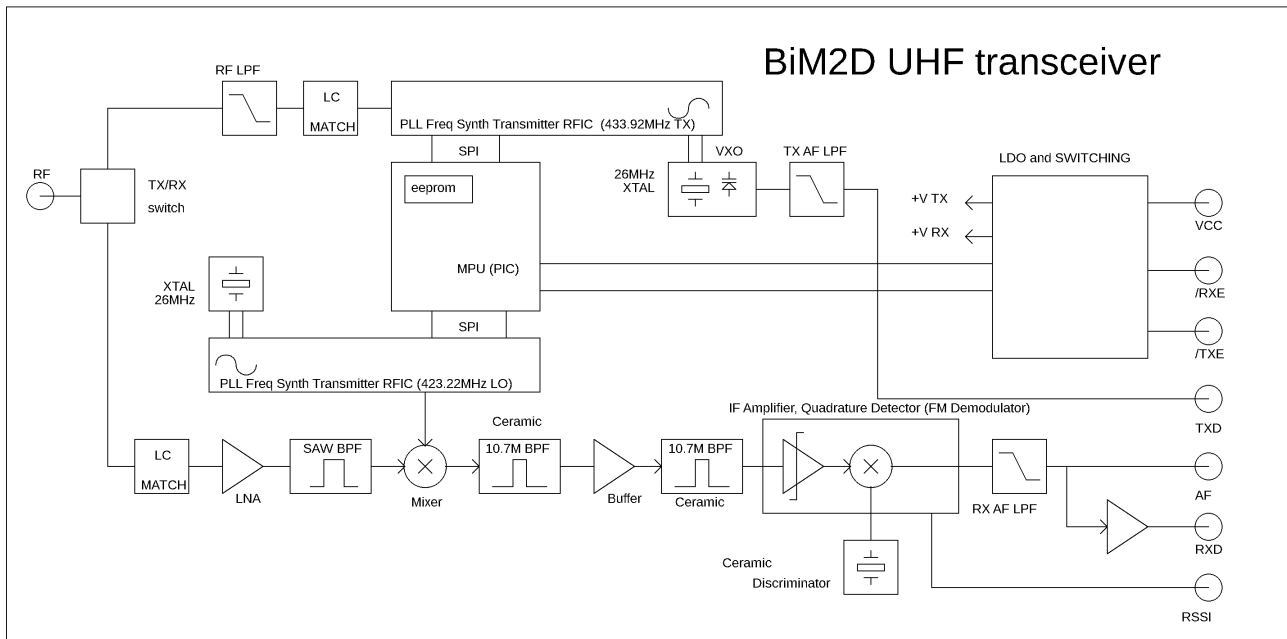


Fig. 2: Block diagram

Pin description

RF GND pins 1 & 3

RF ground pins, internally connected to the module screen and to pins 5, 9, 10 & 18 (0V). These pins should be connected directly to the RF return path (e.g. coax braid, main PCB ground plane etc).

Antenna pin 2

50Ω RF connection to the antenna, DC-isolated. See pages 7 & 8 for details of suitable antennas and feeds.

0V (GND) pins 5, 10 & 18

Supply ground connection and screen.

RSSI pin 11

Received Signal Strength Indicator with 60dB range, operational when Rx is enabled. Output voltage nominally 0.05V (no RF signal), 1.30V (maximum). See page.6 for typical characteristics.

RXD pin 12

Digital output from internal data slicer. The output is a squared version of the signal on pin 13 (AF) and may be used to drive a decoder directly. The data is true data, i.e. as fed to the transmitter. Output is "open-collector" format with internal 10kΩ pullup to VCC (pin 17).

AF pin 13

Buffered & filtered analogue output from FM demodulator. Standing DC bias of 0.8V approx. Useful for test purposes or for driving external decoders. External load should be >10kΩ // <100pF

TXD *pin 14*

This DC-coupled transmitter modulation input will accept either serial digital data or high level linear signals. Drive signal must be limited to 0V min, 3V max. See page 6 for suggested drive methods. Input impedance >50kΩ.

TX select *pin 15*

Active-low Transmit select. 47kΩ internal pull-up to Vcc.

RX select *pin 16*

Active-low Receive select. 47kΩ internal pull-up to Vcc.

Pin 15 TX	Pin 16 RX	Function
1	1	Power down (<3μA)
1	0	Receiver enabled
0	1	Transmitter enabled
0	0	Invalid Operating Mode

Vcc *pin 17*

DC +ve supply pin. +2.9 to +16.0 volts. The supply should be clean, <20mV_{P-P} ripple.

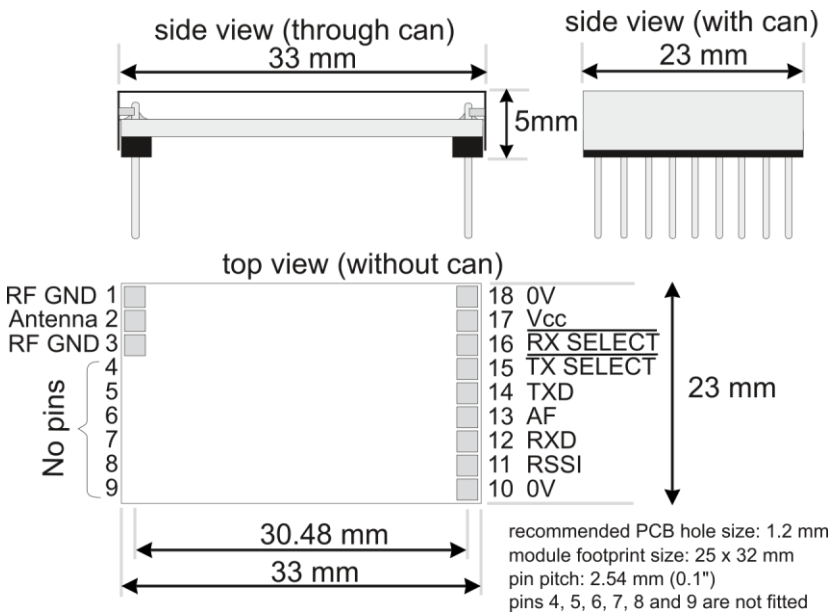


Fig. 3: Physical dimensions

Weight: 7g (typ.)

Absolute maximum ratings

Exceeding the values below may cause permanent damage to the module.

Operating temperature	-20°C to +70°C
Storage temperature	-40°C to +100°C
Vcc (pin 17)	-0.3V to +16V
TX, RX select (pins 15, 16)	-9V to +16V
All other pins	-0.3V to +Vcc
Antenna (pin 2)	±50V DC, +10dBm RF

Performance specifications

Figures apply to standard version @ Vcc=3.0V, temperature +20°C, unless stated.

General	pin	min.	typ.	max.	units	notes
Supply voltage	17	2.9	3.0	16	V	
Tx supply current 10mW	17	-	22	-	mA	
Tx supply current 25mW	17	-	40	-	mA	
Rx supply current	17	-	15	-	mA	Note 1
RF centre frequency	-	-	433.92	-	MHz	
Antenna port impedance	2	-	50	-	Ω	Tx or Rx
TX & RX select: high (<i>deselect</i>)	15, 16	Vcc-0.5		Vcc	V	
low (<i>select</i>)	15, 16	0		0.5	V	
Balanced code bit rate	12	-	-	64	kbps	-64 version
Balanced code bit rate	12	-	-	10	kbps	-10 version

Transmitter section	pin	min.	typ.	max.	units	notes
RF power output 10mW	2	+9	+10	+11	dBm	
RF power output 25mW	2	+13	+14	+15	dBm	
TX harmonics/spurious emission	2	-		-40	dBm	
Initial centre frequency accuracy	-	-10	0	+10	kHz	
FM deviation	-	±20	±30		kHz	Peak
Modulation bandwidth	-	0	-	35	kHz	@ -3db
Modulation distortion	-	-	5	10	%	Note 2
TX spectral bandwidth @ -40dBc	2	-	-	250	kHz	worst case
TXD input level: high	14	2.8	-	3.0	V	Note 3
low	14	0	-	0.2	V	Note 3
TX power up to full RF	2	-		1.7	ms	Note 4

Receiver section	pin	min.	typ.	max.	units	notes
RF sensitivity, 12dB SINAD	2, 13	-113	-111	-109	dBm	-64 version
RF sensitivity, 12dB SINAD	2, 13	-	-113	-	dBm	-10 version
RSSI output, no signal	11		0.05V		V	
RSSI output, max indication	11	-	1.3	1.6	V	-50dBm RF input
RSSI range	2, 11	-	60	-	dB	
IF bandwidth	-	-	180	-	kHz	
±300kHz			57		dB	
±2MHz			63		dB	
±10MHz			86		dB	
Image rejection	2		57	-	dB	
IF/2 rejection	2		62		dB	
IF rejection (10.7MHz)	2		64	-	dB	
Local osc. leakage, conducted	2	-		-70	dBm	
Baseband bandwidth @ -3dB	13	0	-	50	kHz	-64 version
Baseband bandwidth @ -3dB	13	0	-	7	kHz	-10 version
AF output signal level	13		400		mV p-p	Note 5
DC offset on AF output	13		0.9		V	Note 6
Distortion on recovered AF	13	-		6	%	Note 7
Ultimate (S+N)/N	13	30		40	dB	-50dBm RF input
Load capacitance, AF & RXD	12, 13	-	-	100	pF	

Receiver section	pin	min.	typ.	max.	units	notes
Dynamic Timing						
<i>Rx power up with signal present</i>						
Power up to valid RSSI, $t_{PU-RSSI}$	11	-	1.7	-	ms	
Power up to stable data, $t_{PU-data}$	12	-	1.7		ms	-64 version
<i>Signal applied with Rx on</i>						
Signal to stable data, $t_{sig-data}$	12	-		3	ms	-64 version (Note 9)
Time between data transitions	14	15.6	-	1000	μ s	-64 version
Time between data transitions	14	0.1	-	10	ms	-10 version
Averaged code mark:space	14	40	50	60	%	Note 8

- Note:**
1. Increases at high RF input level (>-20dBm)
 2. See page 6 for further details
 3. For specified FM deviation
 4. Tx select low > full RF output
 5. ± 30 kHz FM deviation
 6. Min/max After stabilisation
 7. Max at ± 50 kHz offset
 8. Average, at max. data rate
 9. At max. data rate

Application Information

Modulation formats and range extension

The module will produce the specified FM deviation with a 2-level digital input to TXD which toggles between 0V and 3V. Reducing the amplitude of the data input from this value (usually as a result of reducing the supply voltage) reduces the transmitted FM deviation, typically to 20kHz minimum at 1.7Vpp. The receiver will cope with this quite happily and no significant degradation of link performance should be observed.

TXD is normally driven directly by logic levels but will also accept analogue drive, e.g. 2-tone signalling. In this case it is recommended that TXD (pin 14) should be AC-coupled with 100nF series capacitor and amplitude limited to a maximum of 1.7V peak-to-peak. The instantaneous modulation voltage must not swing below 0V or above 3V at any time if waveform distortion and excessive FM deviation is to be avoided – use a resistive potential divider and/or level shifter to accomplish this if necessary. The varactor modulator in the transmitter introduces some 2nd harmonic distortion which may be reduced if necessary by predistortion of the analogue waveform.

At the other end of the link the AF output (pin 13) can be used to drive an external decoder directly.

Data formats containing a DC component are unsuitable and should not be used. The time constant of the data slicer in the BiM2D is set at a reasonable compromise to allow the use of low code speeds where necessary whilst keeping settling times acceptably fast for battery-economised operation. RXD output on pin 12 is “true” sense, i.e. as originally fed to the transmitter.

In applications such as longer range fixed links where data speed is not of primary importance, a significant increase in range can be obtained by using the slowest possible data rate together with filtering to reduce the receiver bandwidth to the minimum necessary. In these circumstances the AF output can be used to drive an external filter and data slicer. The AF output waveform on pin 13 is in the same sense as that originally fed to the transmitter, i.e. no inversion takes place but, it has a DC varying offset present at all times whilst the data slicer tracks any frequency errors.

Received Signal Strength Indicator (RSSI)

The BiM2D receiver incorporates a wide range RSSI which measures the strength of an incoming signal over a range of approximately 60dB. This allows assessment of link quality and available margin and is useful when performing range tests.

Please note that the actual RSSI voltage at any given RF input level varies somewhat between units. The RSSI facility is intended as a relative indicator only - it is not designed to be, or suitable as, an accurate and repeatable measure of absolute signal level or transmitter-receiver distance.

The output on pin 11 of the module has a standing DC bias in the region of 0.05V with no signal, rising to around 1.3V at maximum indication (RF input levels of -50dBm and above). For any given RF input level, absolute RSSI voltage is likely to vary somewhat between individual units - please refer to specifications table on p4.

The RSSI output source impedance is high (~50k) and external loading should therefore be kept to a minimum.

Typical RSSI characteristic is shown below (this is for indicative purposes only and is not a guarantee of actual RSSI characteristics):

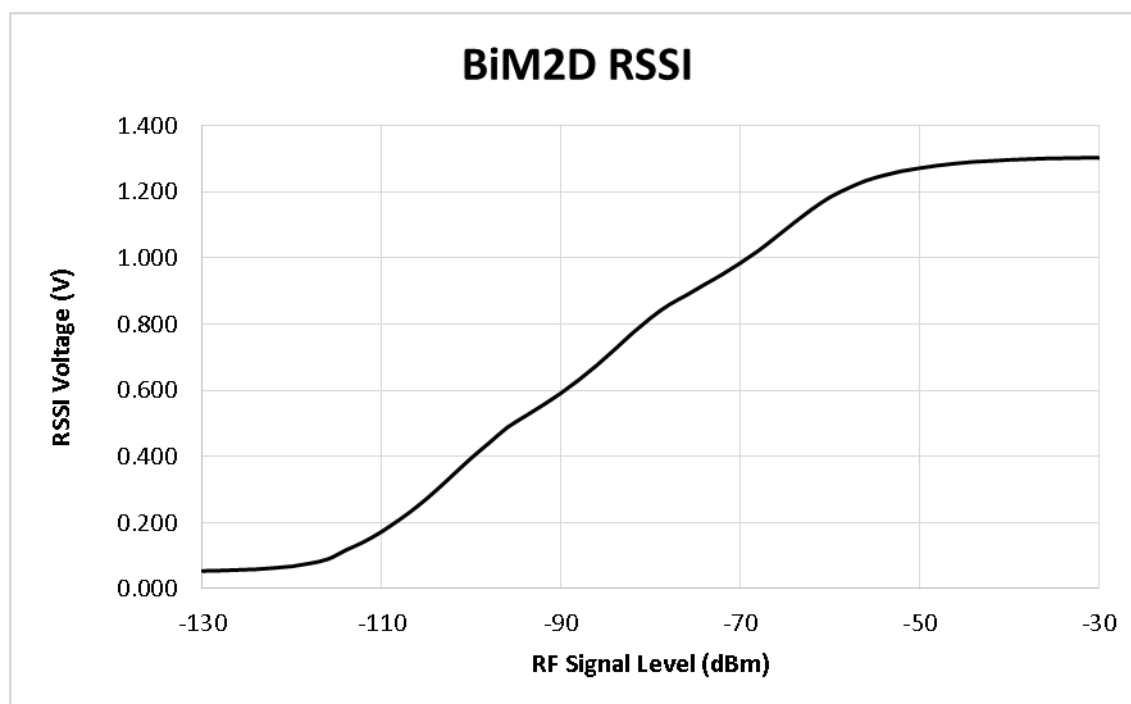


Fig.4: Typical RSSI response curve

To ensure a reasonably fast response the RSSI has limited internal decoupling of 10nF to ground. This may result in a small amount of audio ripple on the DC output at pin 11 of the module. If this is a problem further decoupling may be added at the expense of response speed, in the form of a capacitor from pin 11 to ground.

Variants and ordering information

BiM2D modules are manufactured in the following variants as standard:

Part number	RF power	Frequency	Data rate	RSSI/CD
BiM2D-433.920-64	10mW	433.92MHz	64kbps	RSSI
BiM2D-433.920-10	10mW	433.92MHz	10kbps	RSSI
BiM2D-434.420-64	10mW	434.42MHz	64kbps	RSSI
BiM2D-434.420-64	10mW	434.42MHz	10kbps	RSSI
BiM2DH-433.920-64	25mW	433.92MHz	64kbps	RSSI
BiM2DH-433.920-10	25mW	433.92MHz	10kbps	RSSI
BiM2D-433.920-10-CD	10mW	433.92MHz	10kbps	CD
BiM2D-433.920-64-CD	10mW	433.92MHz	64kbps	CD
BiM2DH-433.920-10-CD	25mW	433.92MHz	64kbps	CD

433.92MHz or 434.42MHz are standard frequencies.

Other frequencies on 311-348MHz, 398-470MHz, 790-956MHz subject to SAW filter availability

Radiometrix Ltd

Hartcran House
231 Kenton Lane
Harrow, Greater London
HA3 8RP
ENGLAND

Tel: +44 20 8909 9595

Fax: +44 20 8909 2233

sales@radiometrix.co.uk

www.radiometrix.com

Copyright notice

This product data sheet is the original work and copyrighted property of Radiometrix Ltd. Reproduction in whole or in part must give clear acknowledgement to the copyright owner.

Limitation of liability

The information furnished by Radiometrix Ltd is believed to be accurate and reliable. Radiometrix Ltd reserves the right to make changes or improvements in the design, specification or manufacture of its subassembly products without notice. Radiometrix Ltd does not assume any liability arising from the application or use of any product or circuit described herein, nor for any infringements of patents or other rights of third parties which may result from the use of its products. This data sheet neither states nor implies warranty of any kind, including fitness for any particular application. These radio devices may be subject to radio interference and may not function as intended if interference is present. We do NOT recommend their use for life critical applications.

The Intrastat commodity code for all our modules is: 8542 6000

R&TTE Directive

After 7 April 2001 the manufacturer can only place finished product on the market under the provisions of the R&TTE Directive. Equipment within the scope of the R&TTE Directive may demonstrate compliance to the essential requirements specified in Article 3 of the Directive, as appropriate to the particular equipment.

Further details are available on The Office of Communications (Ofcom) web site:

<http://www.ofcom.org.uk/>

Information Requests
Ofcom
Riverside House
2a Southwark Bridge Road
London SE1 9HA
Tel: +44 (0)300 123 3333 or 020 7981 3040
Fax: +44 (0)20 7981 3333
information.requests@ofcom.org.uk

European Communications Office (ECO)
Peblingehus
Nansensgade 19
DK 1366 Copenhagen
Tel. +45 33896300
Fax +45 33896330
ero@ero.dk
www.ero.dk